



US00D409636S

**United States Patent** [19]  
**Genov**

[11] **Patent Number: Des. 409,636**  
[45] **Date of Patent: \*\* May 11, 1999**

[54] **ROBOTIC ARM**

5,534,761 7/1996 Crippa ..... 414/744.5 X  
5,577,879 11/1996 Eastman et al. .... 414/744.5

[75] Inventor: **Genco Genov**, deceased, late of San Jose, Calif., by Mila Genov, legal representative

*Primary Examiner*—Antoine Duval Davis  
*Attorney, Agent, or Firm*—Burns, Doane, Swecker & Mathis LLP

[73] Assignee: **Genmark Automation, Inc.**, Sunnyvale, Calif.

[57] **CLAIM**

[\*\*] Term: **14 Years**

The ornamental design for a robotic arm, as shown.

[21] Appl. No.: **29/087,664**

**DESCRIPTION**

[22] Filed: **May 7, 1998**

[51] **LOC (6) Cl.** ..... **15-99**

[52] **U.S. Cl.** ..... **D15/199**

[58] **Field of Search** ..... D15/199; 419/744.5, 419/744.2; 318/560; 74/479, 490.02

FIG. 1 is a perspective view of the robotic arm;  
FIG. 2 is a top view thereof;  
FIG. 3 is a right-side view thereof, the left-side view being substantially identical;  
FIG. 4 is a front view thereof;  
FIG. 5 is a back view thereof; and,  
FIG. 6 is a perspective view thereof with the robotic arm in a retracted position.

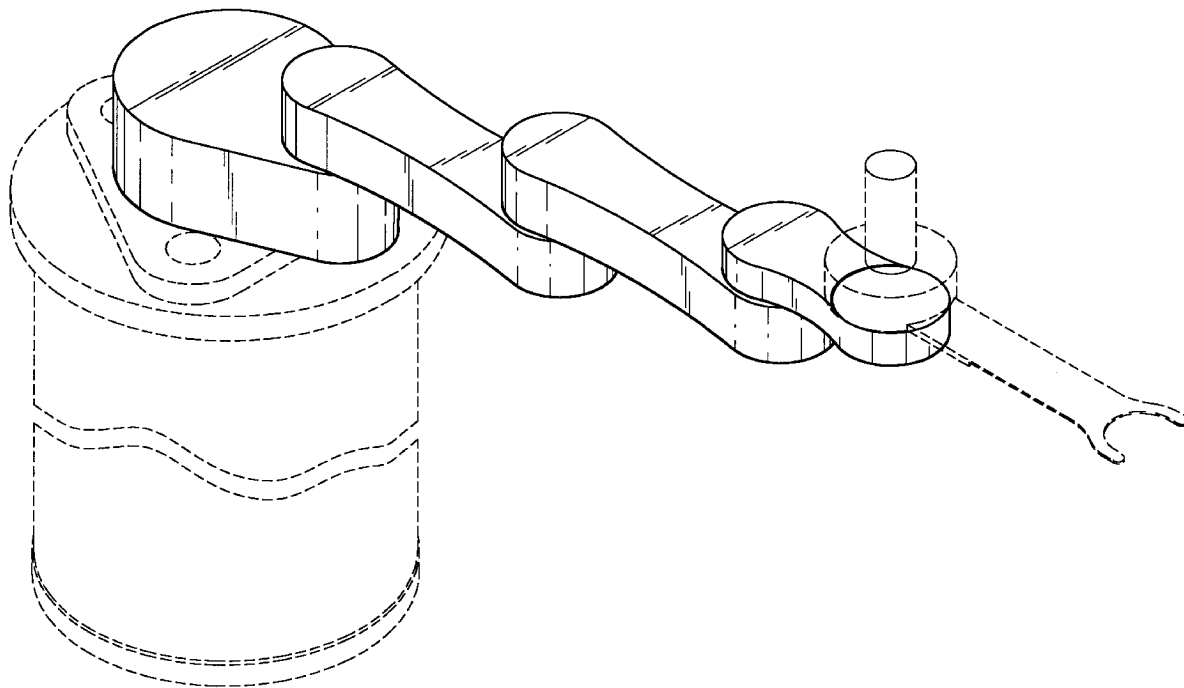
The broken line showing is for illustrative purposes only and forms no part of the claimed design.

[56] **References Cited**

**U.S. PATENT DOCUMENTS**

5,064,340 11/1991 Genov, et al. .  
5,456,561 10/1995 Poduje et al. .... 414/744.5 X

**1 Claim, 5 Drawing Sheets**



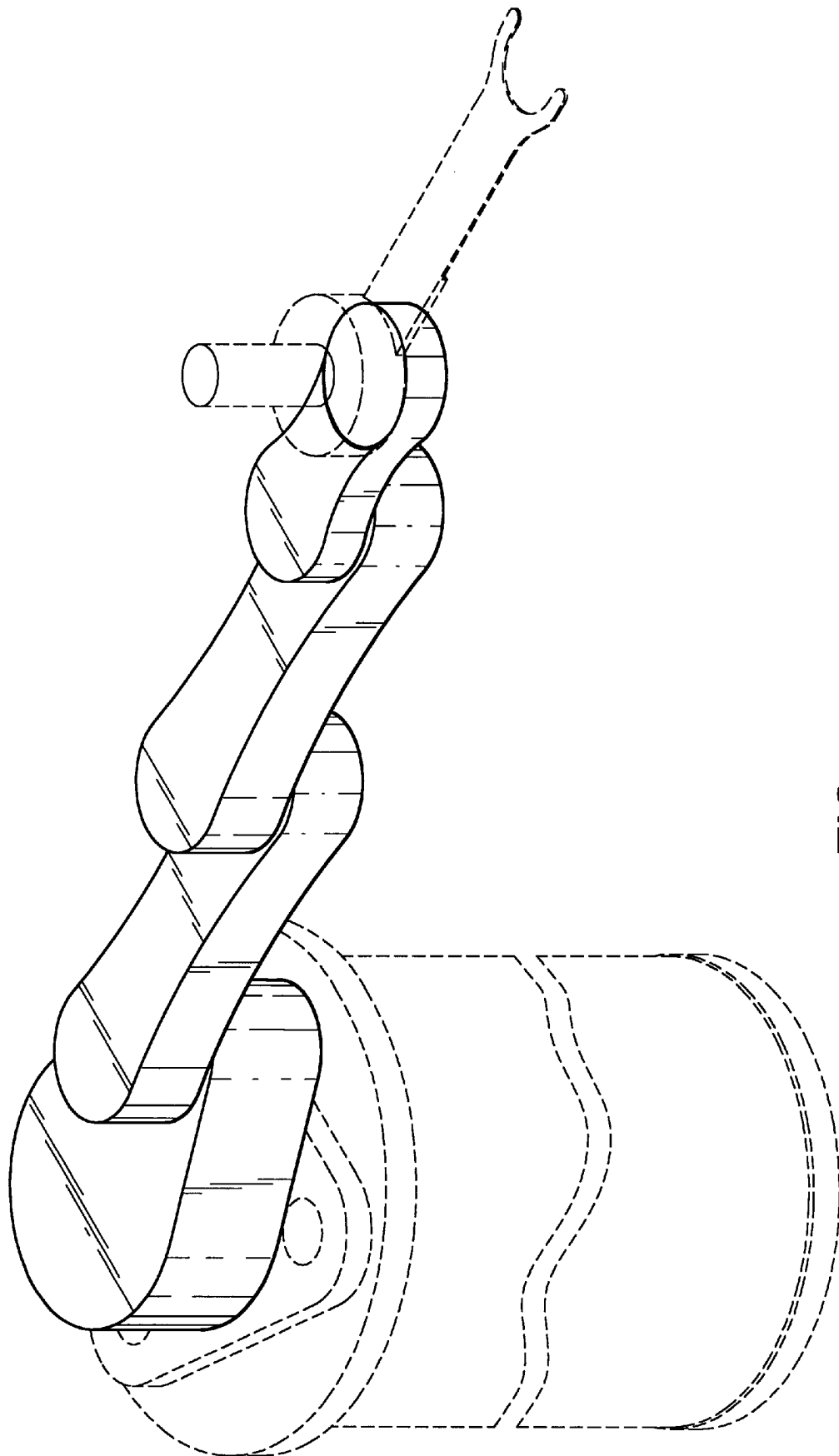


FIG. 1

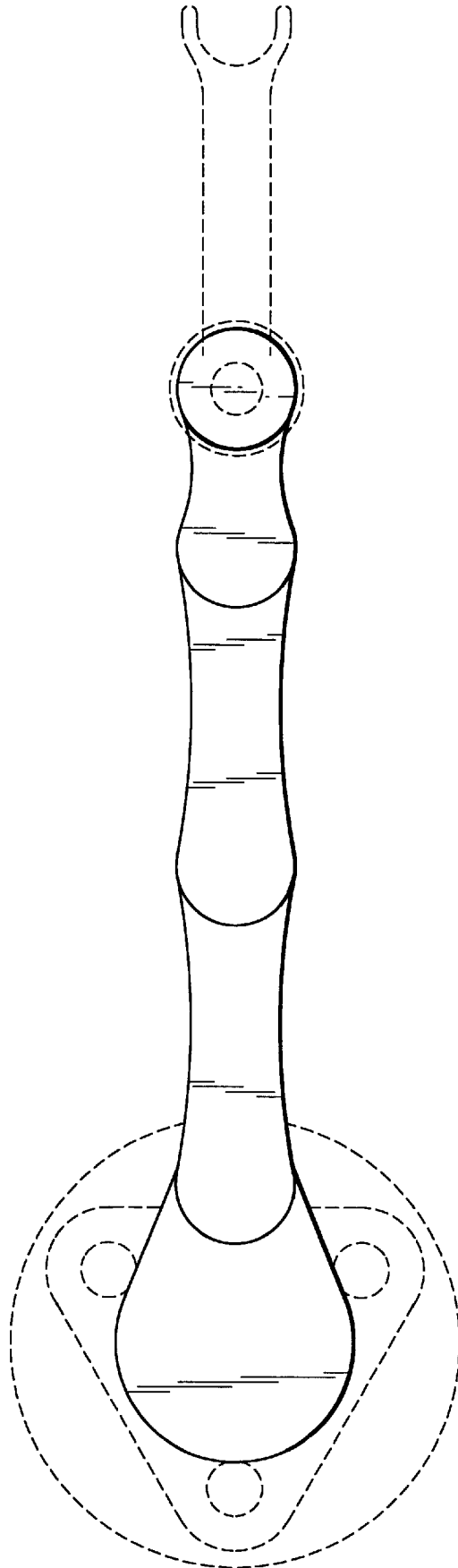


FIG. 2

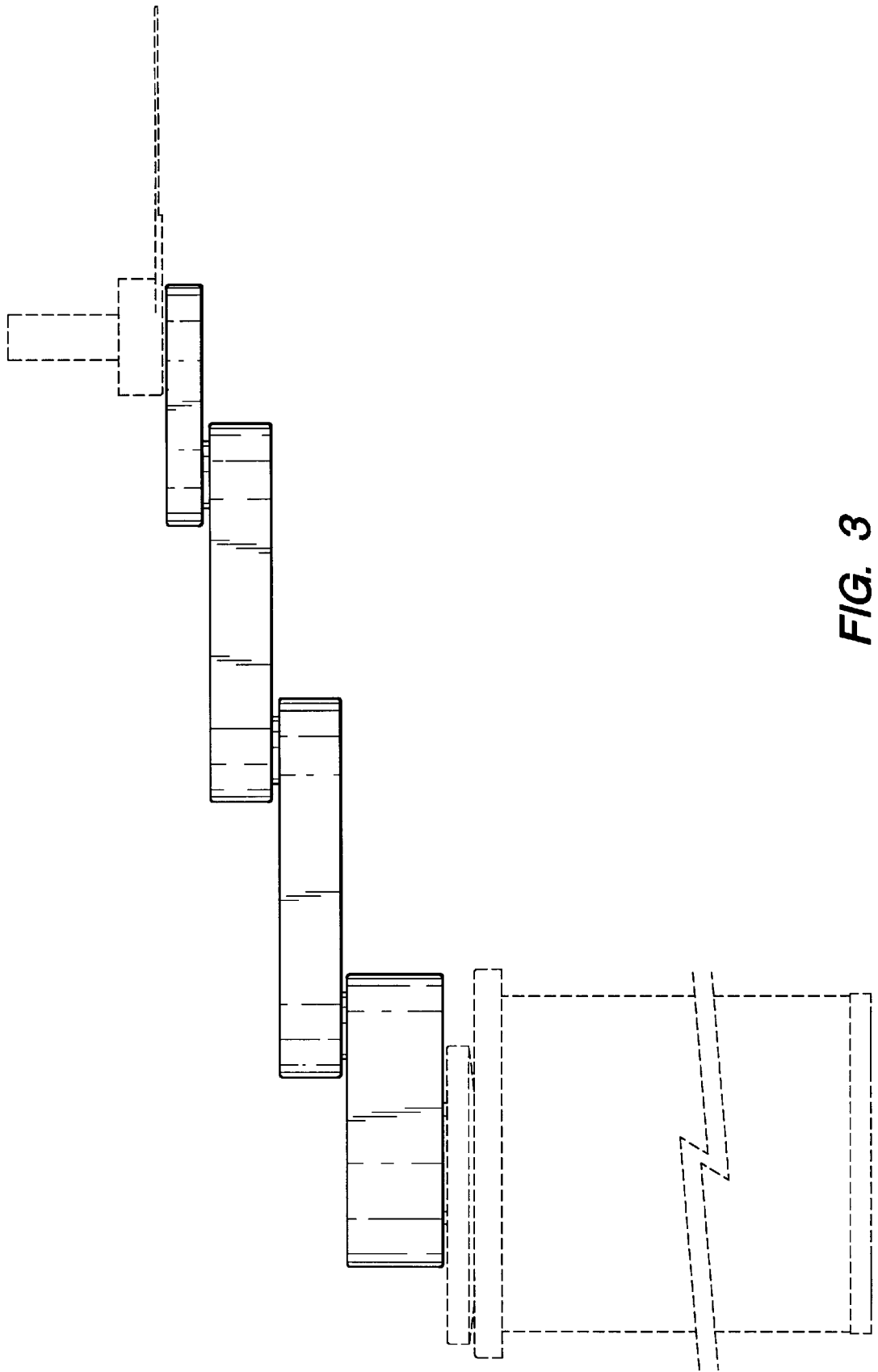


FIG. 3

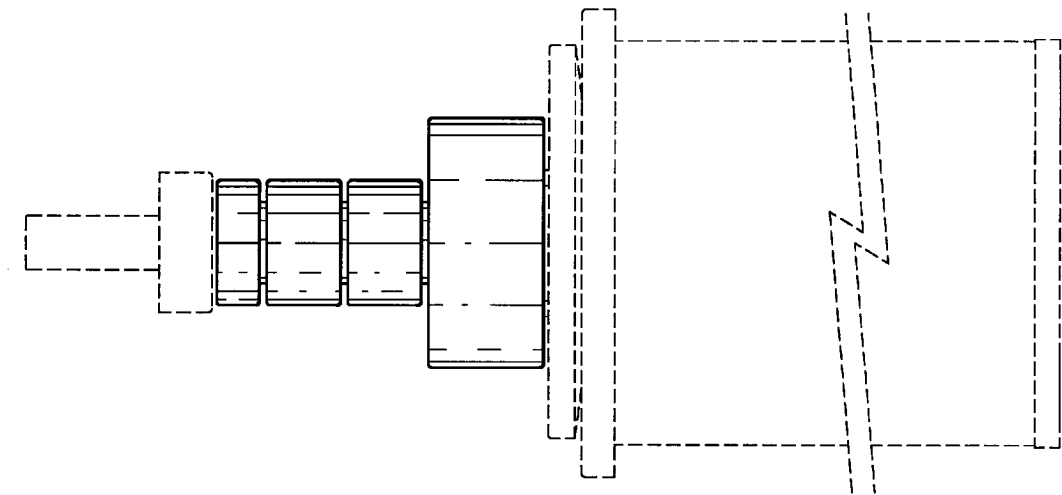


FIG. 5

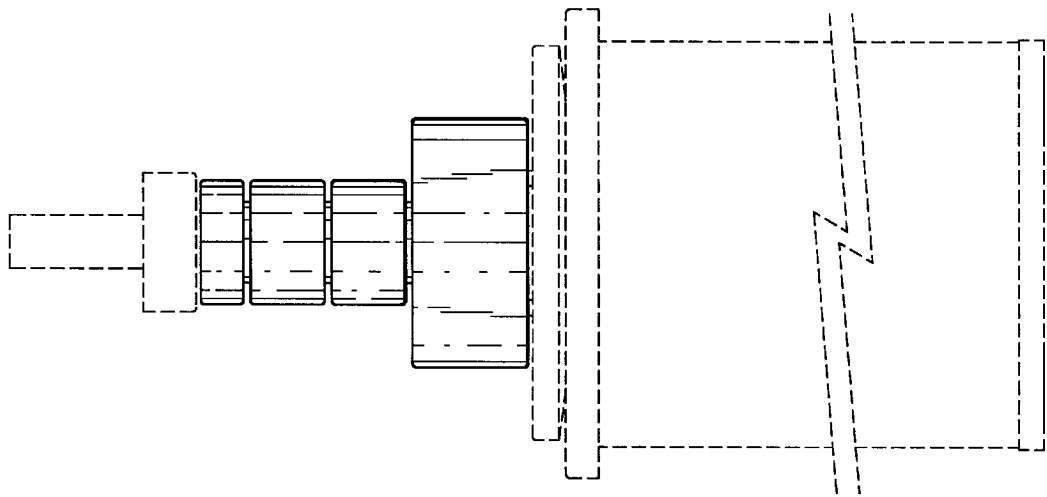
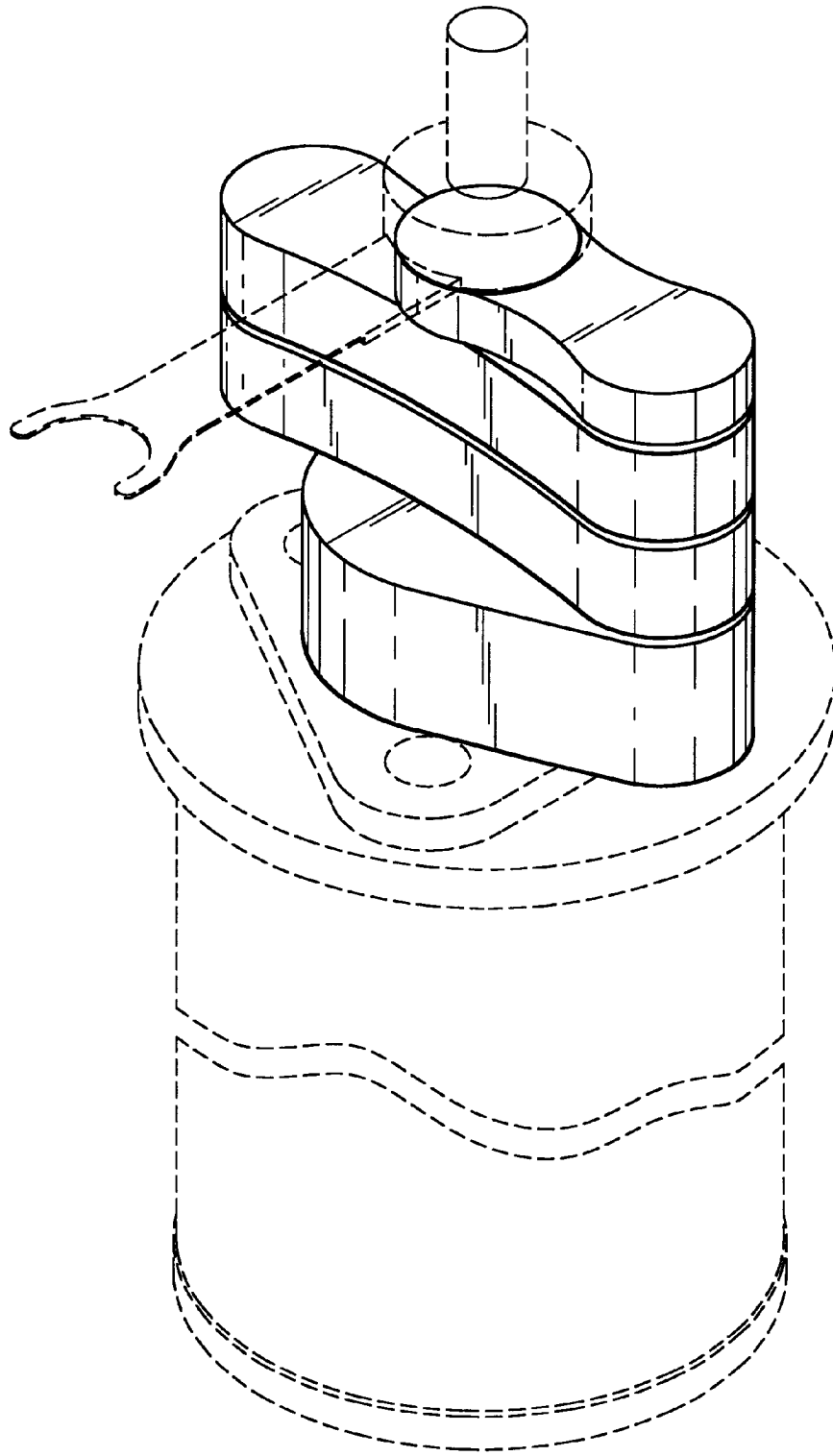


FIG. 4



**FIG. 6**